

STI Steel Smoke Detector Stopper®



KEY FEATURES

General Information

- Designed to provide maximum protection for vulnerable detectors while not compromising their effective operation.
- Three year guarantee against breakage in normal use.

Design

- Steel cage designed to protect a variety of equipment including motion detectors from vandalism and misuse.
- Specifically designed with slots which are too small for a pencil to be passed through, ideal in correctional and psychiatric facilities.

Construction

- Constructed from tough steel, an alternative to the Steel Web Stopper.
- UL Listed to U.S. safety standards for specific smoke detectors.

Installation

- A simple 4 fixing point installation can retrofit over existing devices
- Suitable for flush and surface mount applications.
- Fast and easy installation.
- Simple removal for servicing of devices.

Options

- Where additional security is required, tamper resistant screws and matching bits are available.
- Available in stainless steel or white coated galvanised steel.

PRODUCT OVERVIEW

Designed to provide maximum protection for vulnerable detectors while not compromising their effective operation. Available in two finishes, the design adopts a sophisticated matrix of perforations that provides access for smoke to the detector while providing a protective shield against vandalism and misuse. The Stainless Steel Detector Stopper has been manufactured from heavy-duty 18 gauge (1.2mm) stainless steel, which provides a natural resistance to corrosion. Ideal for any application where food is present as well as use in water treatment plants and correctional facilities. The coated cold rolled Steel Detector Stopper has been manufactured from 16 gauge (1.5mm) cold rolled steel with a white corrosion resistant polyester coating. The steel gives it strength and durability, protecting detectors which may be frequently vandalised causing high maintenance costs and false fire alarms.

HOW IT WORKS

Both models are available for flush and surface mounted applications. They come with a full installation fixing kit, allowing easy installation and simple removal for servicing of the protected device. All models are available with tamper resistant fasteners for added protection.



For more information, call +44 (0)1527 520 999 or visit www.sti-europe.com



**Safety Technology
International (Europe) Ltd**

STI Steel Smoke Detector Stopper®

Dimensions and Technical Information

MODELS AVAILABLE

- STI-8200-SS** Smoke Detector cover in stainless steel - Flush mount
- STI-8230-SS** Smoke Detector cover in stainless steel - Surface mount (includes 50mm spacer)
- STI-8200-W** Smoke Detector cover in cold rolled steel coated white - Flush mount
- STI-8230-W** Smoke Detector cover in cold rolled steel coated white - Surface mount (includes 50mm spacer)

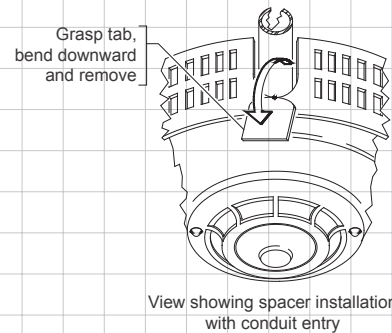
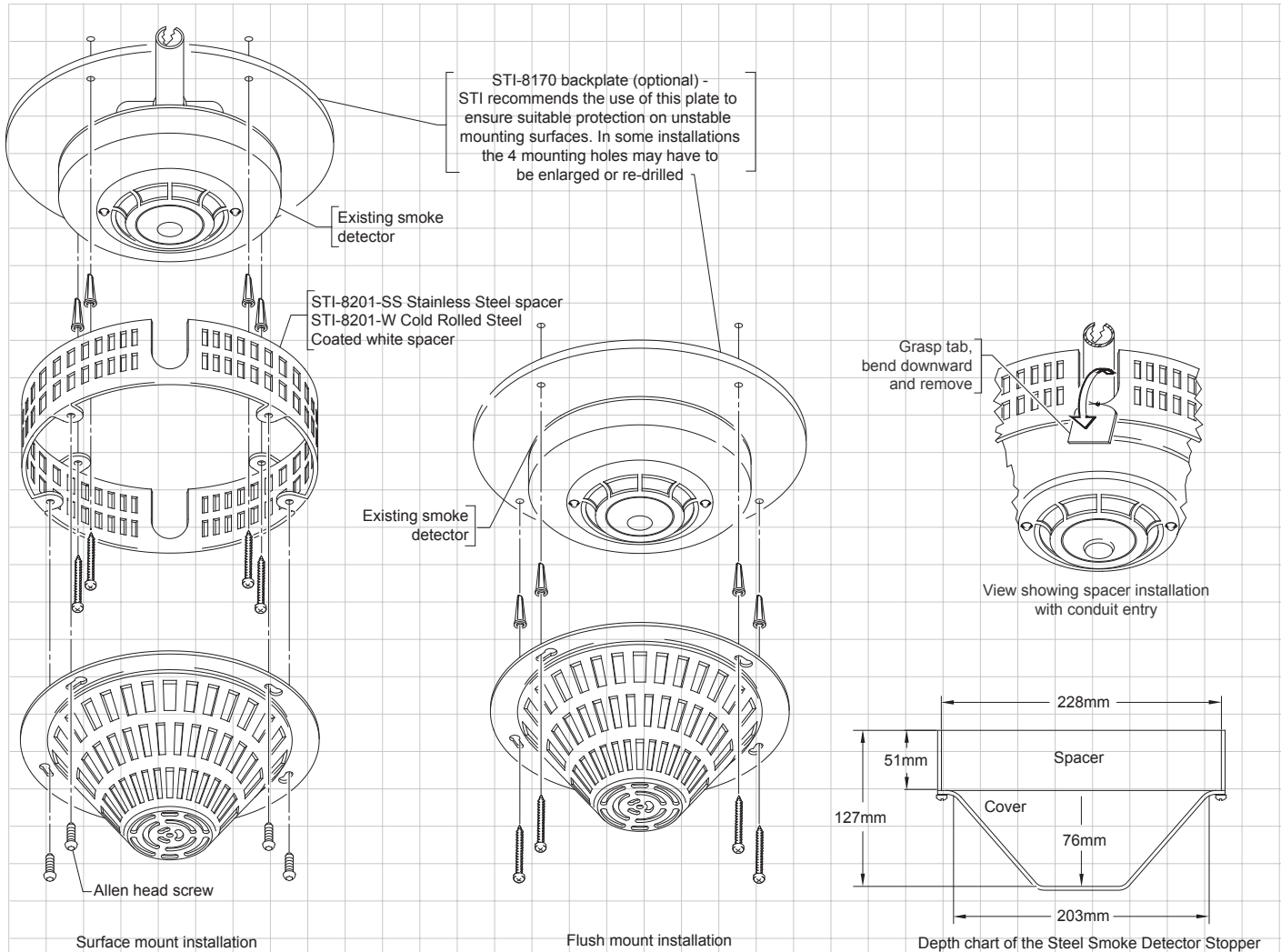
Accessories:

- STI-8201-SS** 50mm spacer (supplied with STI-8230-SS)
- STI-8201-W** 50mm spacer (supplied with STI-8230-W)
- STI-8170** Mounting backplate (for irregular mounting surfaces)

TESTING APPROVALS

STI-8200 cover and STI-8230 cover and spacer are UL and cUL Listed (No. 85Y2) for use with:

- System Sensor SSD-2251
 - FCI Model ASD-PL
 - Secutron Model MRI-2251
 - EST Model 2251F
 - Honeywell TC806B1001
- ULC Listed for use with:
- Siemens FP-11C



View showing spacer installation with conduit entry



Safety Technology International (Europe) Ltd

UK Office

Unit 49G Pipers Road
Park Farm Industrial Estate
Redditch, Worcestershire
B98 0HU, England

Tel: +44 (0)1527 520 999
Fax: +44 (0)1527 501 999
info@sti-europe.com
www.sti-europe.com

USA Head Office

2306 Airport Road
Waterford, Michigan
48327 - 1209

Tel: +248-673-9898
Fax: +248-673-1246
Toll-free: 0800-888-4STI
info@sti-usa.com
www.sti-usa.com